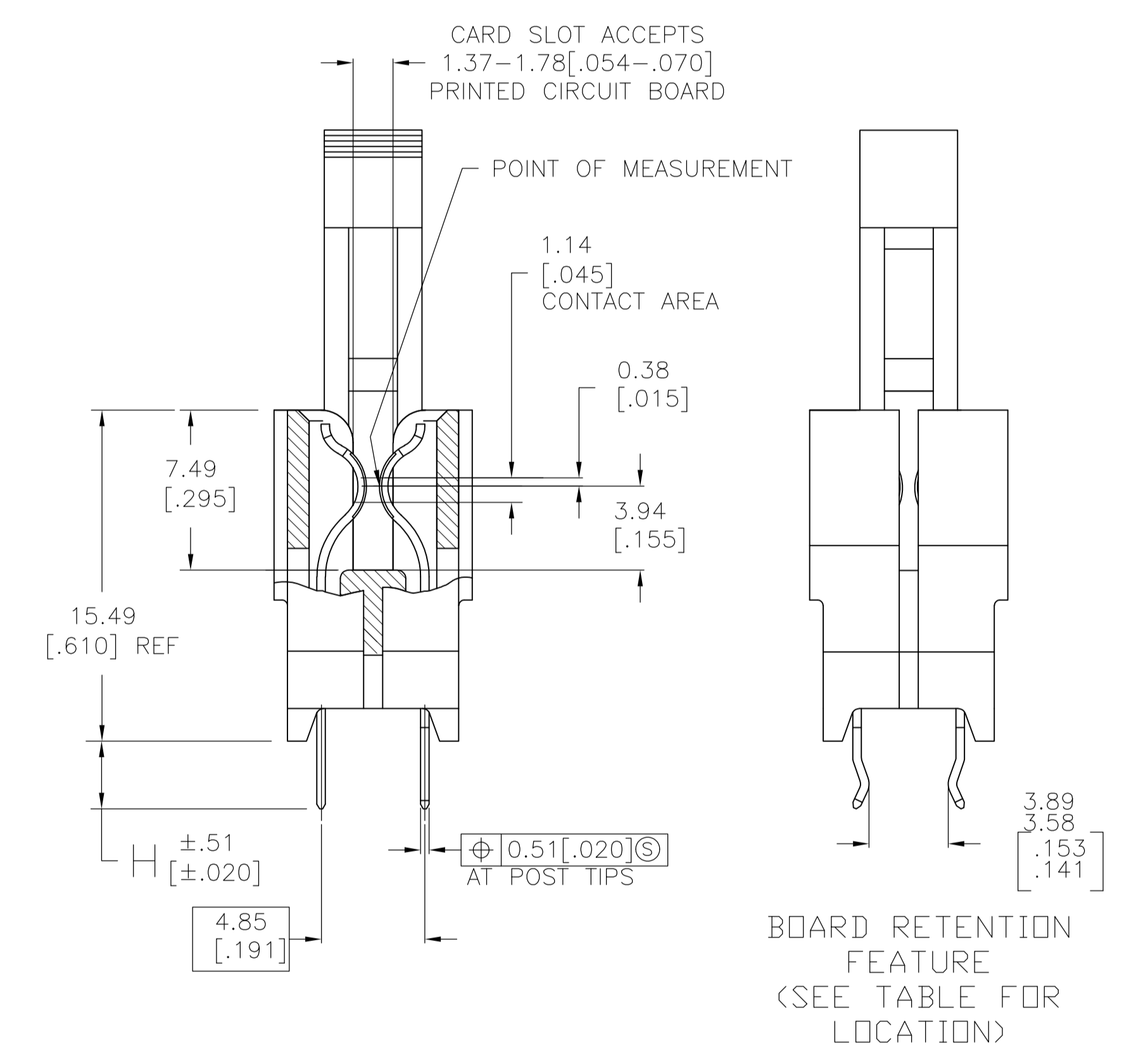


1. MATERIAL:
HOUSING: GLASS FILLED POLYESTER; COLOR: BLACK.
CONTACT: HIGH CONDUCTIVITY COPPER ALLOY
LATCH: GLASS FILLED POLYESTER, COLOR: (SEE TABLE)
2. FINISH:
0.00038[.000015] GOLD PLATE IN CONTACT AREA,
0.00254[.000100] MIN MATTE TIN ON SOLDER POSTS, ALL
OVER 0.00127[.000050] MIN NICKEL
3. FINISH:
0.00076[.000030] GOLD PLATE IN CONTACT AREA,
0.00254[.000100] MIN MATTE TIN ON SOLDER POSTS, ALL
OVER 0.00127[.000050] MIN NICKEL
4. AMP LOGO, TE PART NUMBER, DATE CODE AND CSA LOGO INK
STAMPED WHITE (HOT STAMPED OR LAZER PRINTED) IN THE APPROXIMATE
AREA SHOWN, EITHER SIDE PERMISSABLE, WHEN HOUSING SIZE PERMITS
5. DATUMS AND BASIC DIMENSIONS ESTABLISHED BY CUSTOMER
6. CONNECTORS SHOWN ARE USED IN APPLICATIONS WITH VRM MODULES WEIGHING
3 OUNCES OR LESS. ALTERNATE CONNECTOR AND LATCH METHOD IS AVAILABLE FOR
VRM MODULES WEIGHING UP TO 6 OUNCES.
7. **CAUTION:** LATCHES ARE INTENDED FOR RETENTION OF PC BOARD TO CONNECTOR.
DO NOT ATTEMPT TO FULLY EJECT PC BOARD FROM CONNECTOR WHILE DISENGAGING
LATCHES. DAMAGE TO LATCHES AND OR CONNECTOR MAY OCCUR
8. OBSOLETE PARTS: OBSOLETE CIS STREAMLINING PER D.RENAUD/D.SINISI



Ⓢ PART IN SHEET 2

FINISH	LATCH COLOR	H	G	F	E	D	C	B	A	RETENTION LOCATION	MOLDED-IN KEYING FEATURE	OMITTED PIN	VRM TYPE	NO OF DUAL POSN	PART NUMBER
△	WHITE	4.70 [1.85]	-	-	-	-	-	-	-	2,3, 29,30, 33,34, 60,61	NONE	NONE	-	31	6489930-8
△	BLACK	3.18 [1.25]	11	3	31.57 [1.243]	29.22 [1.150]	18	11.25 [.443]	8.89[.350]	2,3, 29,30, 33,34, 60,61	4,5 & 12,13	6	-	31	6489930-7
△	WHITE	4.75 [1.87]	-	-	-	-	-	-	-	2,3, 29,30, 33,34, 60,61	NONE	NONE	-	31	6489930-6
△	WHITE	3.18 [1.25]	9	-	26.49 [1.043]	24.13 [.950]	20	-	-	2,3, 29,30, 33,34, 60,61	10, 11	57	10.0 +12v	31	6489930-5
△	WHITE	3.18 [1.25]	-	-	-	-	-	-	-	2,3, 29,30, 33,34, 60,61	NONE	NONE	-	31	6489930-4
△	WHITE	3.18 [1.25]	8	2	23.95 [.943]	21.59 [.850]	21	8.71 [.343]	6.35 [.250]	2,3, 29,30, 33,34, 60,61	3,4 & 9,10	57	-	31	6489930-3
△	BLACK	3.18 [1.25]	9	-	26.49 [1.043]	24.13 [.950]	20	-	-	2,3, 29,30, 33,34, 60,61	10,11	57	10.0 +12v	31	6489930-2
△	BLACK	3.18 [1.25]	9	4	26.49 [1.043]	24.13 [.950]	20	13.79 [.543]	11.43 [.450]	2,3, 29,30, 33,34, 60,61	5,6 & 10,11	57	10.1 +12v	31	6489930-1

THIS DRAWING IS A CONTROLLED DOCUMENT.

DIMENSIONS: mm [INCHES]	TOLERANCES UNLESS OTHERWISE SPECIFIED:	0 PLC ± -	1 PLC ± -	2 PLC ± -	3 PLC ± 0.13 [.005]	4 PLC ± -	ANGLES ± -
-------------------------	--	-----------	-----------	-----------	---------------------	-----------	------------

MATERIAL: SEE NOTE 1	FINISH: SEE NOTE 2	WEIGHT: -	SCALE: 5:1	SHEET 1 OF 3	REV D2
----------------------	--------------------	-----------	------------	--------------	--------

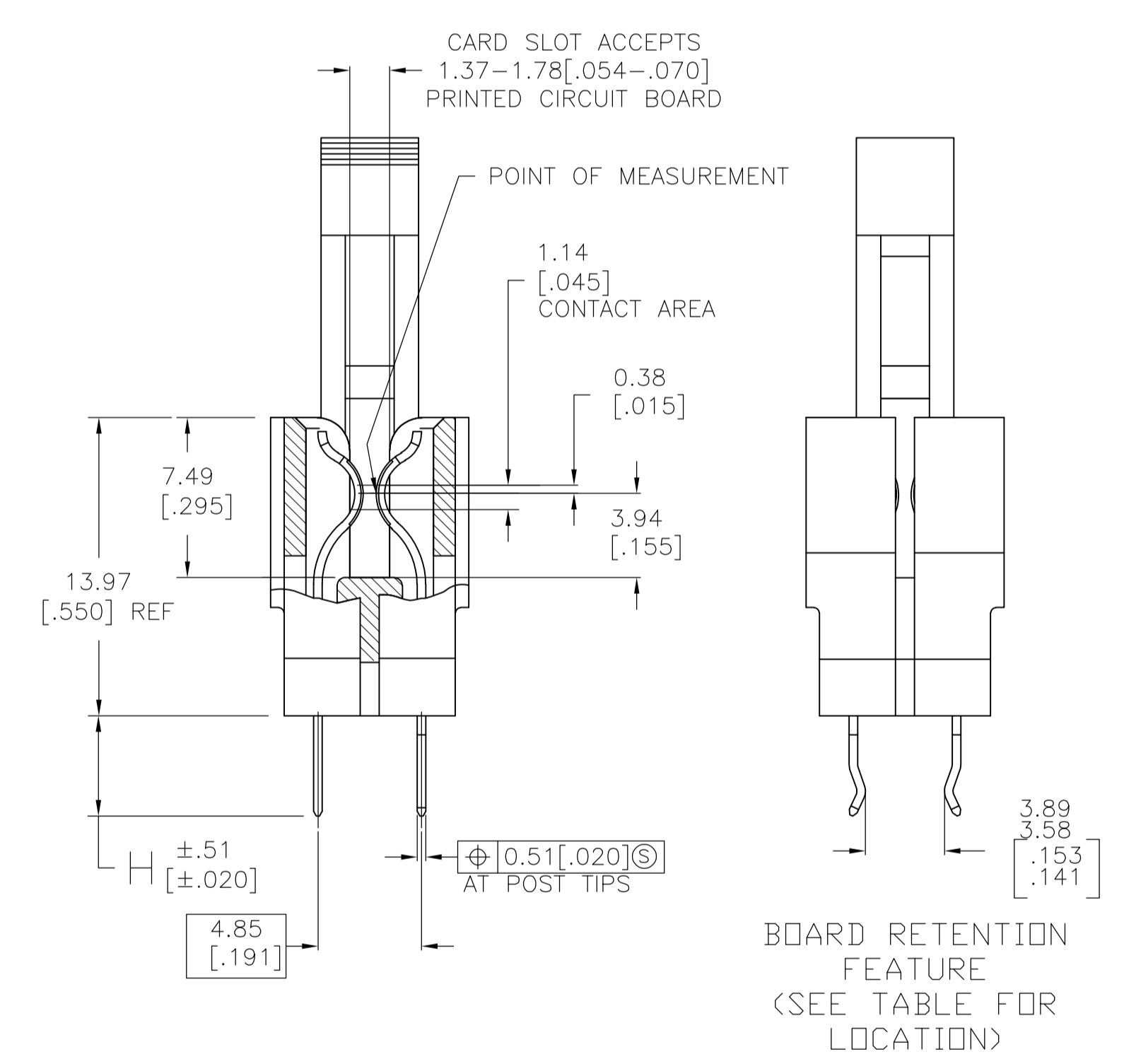
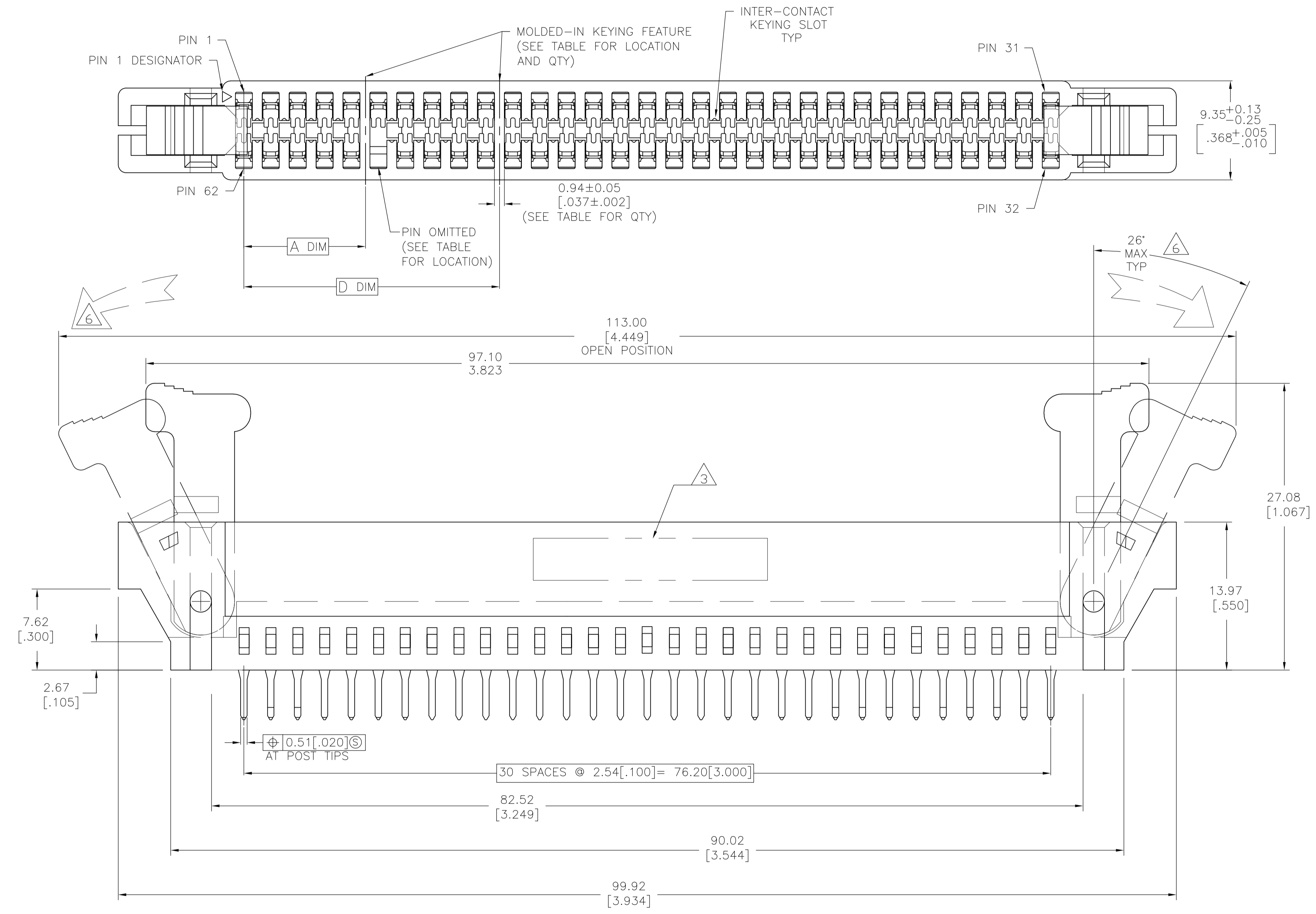
AWF/L.A.MAYER 02APR2008
A.W.FRANTUM 02APR2008
S.FLICKINGER 02APR2008

NAME: CONNECTOR ASSEMBLY HIGH CURRENT CARD EDGE DUAL POSITION, 2.54 [.100] CENTERLINE
PRODUCT SPEC: 108-2148
APPLICATION SPEC: 114-13018

SIZE: A1
CAGE CODE: 00779
DRAWING NO: 6489930

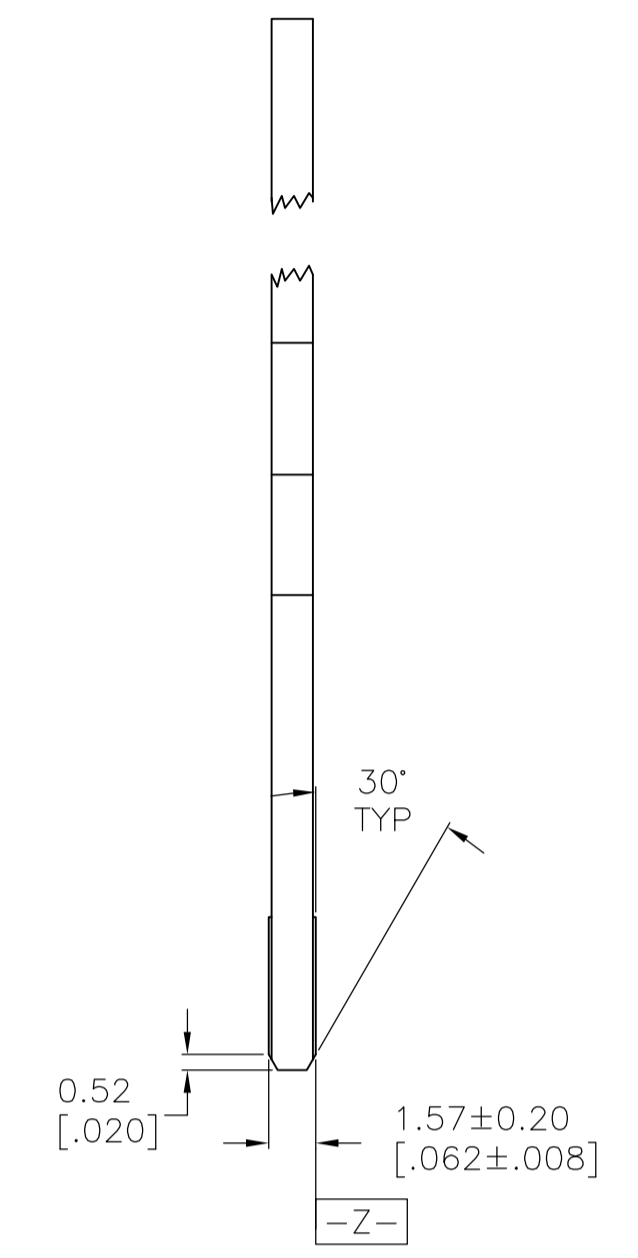
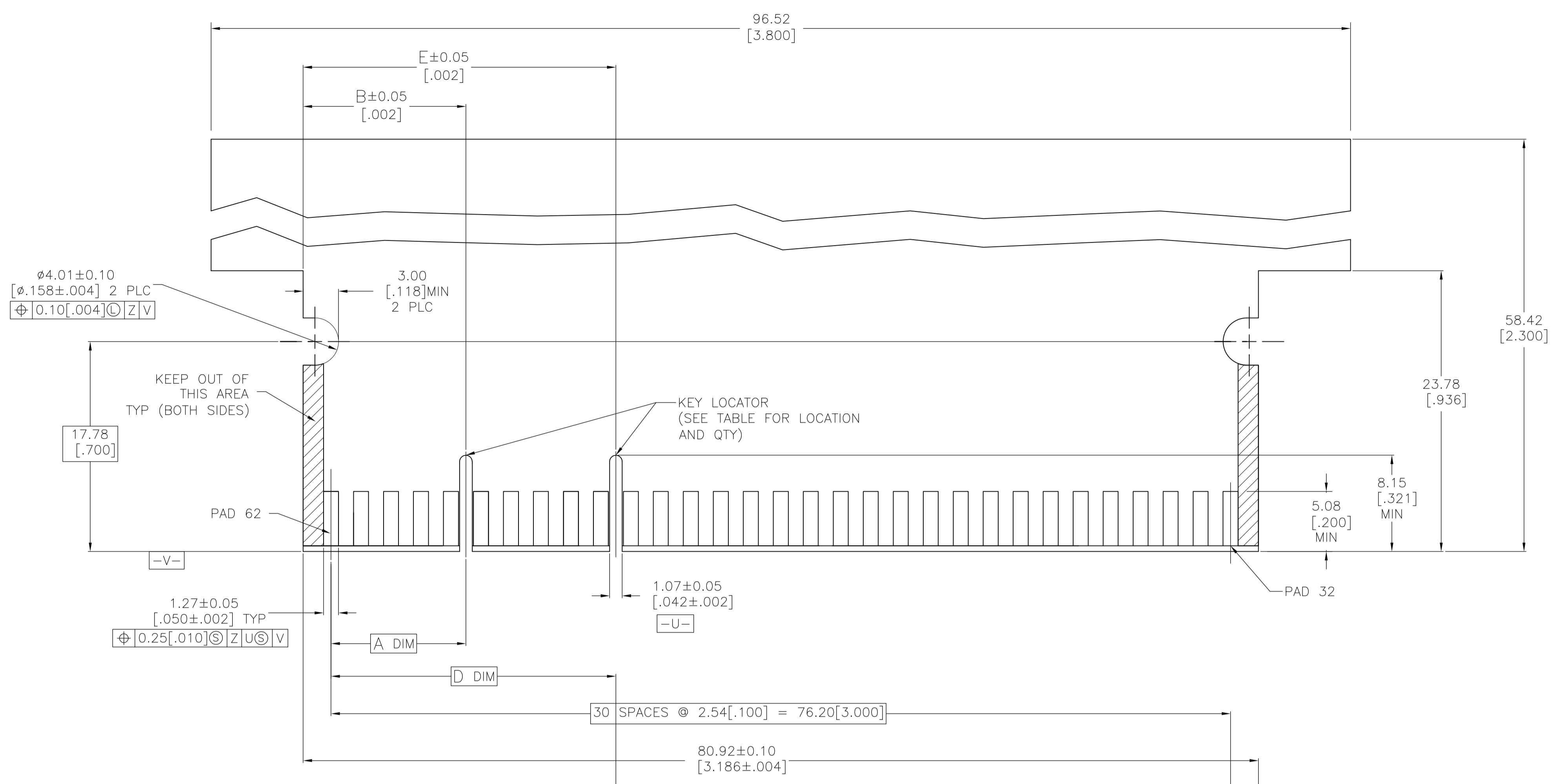
CUSTOMER DRAWING

STE TE Connectivity

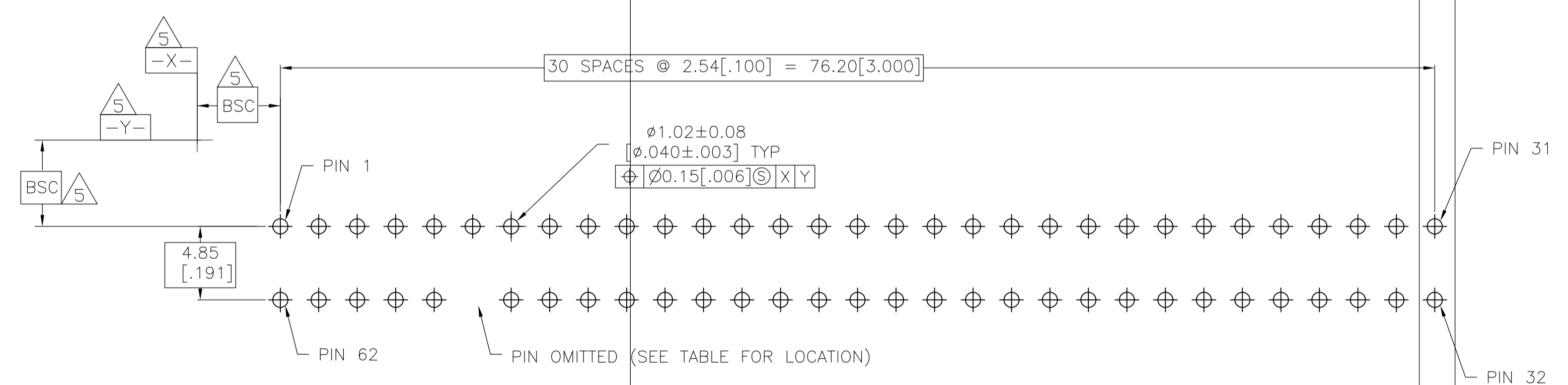


PART 6489930-8

THIS DRAWING IS A CONTROLLED DOCUMENT.		DWN AWF/L.A.MAYER 02APR2008	TE Connectivity	
DIMENSIONS: mm [INCHES]		CHK A.W.FRANTUM 02APR2008	NAME CONNECTOR ASSEMBLY HIGH CURRENT CARD EDGE DUAL POSITION, 2.54 [.100] CENTERLINE	
TOLERANCES UNLESS OTHERWISE SPECIFIED:		APVD S.FLICKINGER 02APR2008	PRODUCT SPEC 108-2148	
0 PLC ± -		APPLICATION SPEC 114-13018		
1 PLC ± -		SIZE A1		
2 PLC ± -		CAGE CODE 00779		
3 PLC ± 0.13 [.005]		DRAWING NO 6489930		
4 PLC ± -		RESTRICTED TO -		
ANGLES ± -		SCALE 5:1		
MATERIAL SEE NOTE 1	FINISH SEE NOTE 2	WEIGHT -	SHEET 2 OF 3	REV D2
CUSTOMER DRAWING		SCALE 5:1 SHEET 2 OF 3 REV D2		



RECOMMENDED MATING BORAD EDGE CONFIGURATION



RECOMMENDED PC BOARD HOLE LAYOUT

THIS DRAWING IS A CONTROLLED DOCUMENT.		DWN AWF/L.A.MAYER 02APR2008	TE Connectivity CONNECTOR ASSEMBLY HIGH CURRENT CARD EDGE DUAL POSITION, 2.54 [.100] CENTERLINE	
DIMENSIONS: mm [INCHES]		CHK A.W.FRANTUM 02APR2008		
TOLERANCES UNLESS OTHERWISE SPECIFIED:		APVD S.FLICKINGER 02APR2008	NAME	
0 PLC ± - 1 PLC ± - 2 PLC ± - 3 PLC ± 0.13 [.005] 4 PLC ± - ANGLES ± -		PRODUCT SPEC 108-2148	SIZE	
MATERIAL SEE NOTE 1		APPLICATION SPEC 114-13018	CAGE CODE DRAWING NO A1 00779	
FINISH SEE NOTE 2		WEIGHT -	CUSTOMER DRAWING	
		SCALE 5:1	SHEET 3 OF 3 REV D2	